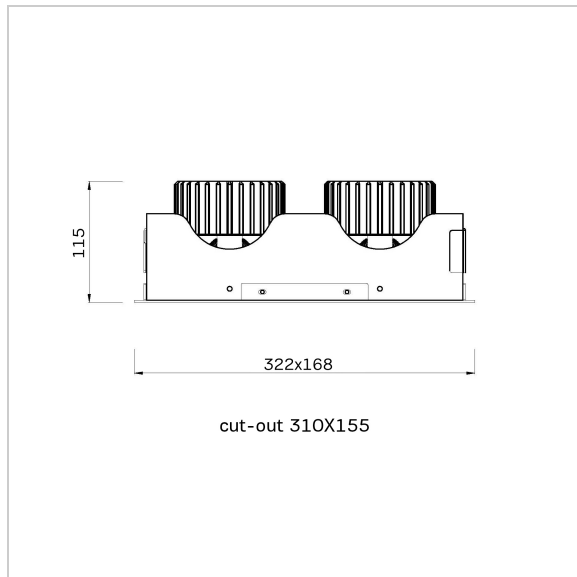
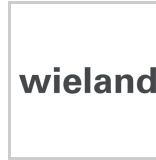


CARDAN SMALL TWO



Recessed cardanic LED downlight available in white, grey and black. Available in CCT from 2700K till 5700K in CRI80 or CRI90, also in special colors for retail use. Reflectors with 15°, 30°, 45° or 60° and various accessories allow installations in a large range of applications.





Sku	Luminous Flux	Connected Load	CCT	CRI	Color housing	Beam angle
<u>1.017A0A830003000000</u>	2x1250Lm	2x9.5W	3000K	(RA) >80	White (RAL 9003)	15°/30°/45°/60°
<u>1.017A0A930003000000</u>	2x1050Lm	2x9.5W	3000K	(RA) >90	White (RAL 9003)	15°/30°/45°/60°
<u>1.017A0A940PW3000000</u>	2x1100Lm	2x9.5W	4000K	(RA) >90	White (RAL 9003)	15°/30°/45°/60°
<u>1.017B0A840003000000</u>	2x1300Lm	2x9.5W	4000K	(RA) >80	White (RAL 9003)	15°/30°/45°/60°
<u>1.017C0A930003000000</u>	2x2000Lm	2x18.5W	3000K	(RA) >90	White (RAL 9003)	15°/30°/45°/60°
<u>1.017C0A940PW3000000</u>	2x2150Lm	2x18.5W	4000K	(RA) >90	White (RAL 9003)	15°/30°/45°/60°
<u>1.017D0A830003000000</u>	2x2400Lm	2x18.5W	3000K	(RA) >80	White (RAL 9003)	15°/30°/45°/60°
<u>1.017D0A840003000000</u>	2x2500Lm	2x18.5W	4000K	(RA) >80	White (RAL 9003)	15°/30°/45°/60°
<u>1.017E0A830003000000</u>	2x3250Lm	2x26W	3000K	(RA) >80	White (RAL 9003)	15°/30°/45°/60°
<u>1.017E0A930003000000</u>	2x3000Lm	2x30W	3000K	(RA) >90	White (RAL 9003)	15°/30°/45°/60°
<u>1.017E0A940PW3000000</u>	2x3250Lm	2x30W	4000K	(RA) >90	White (RAL 9003)	15°/30°/45°/60°
<u>1.017F0A840003000000</u>	2x3370Lm	2x26W	4000K	(RA) >80	White (RAL 9003)	15°/30°/45°/60°
<u>1.017G0A830003000000</u>	2x4250Lm	2x33W	3000K	(RA) >80	White (RAL 9003)	15°/30°/45°/60°

Sku	Luminous Flux	Connected Load	CCT	CRI	Color housing	Beam angle
<u>1.017G0A930003000000</u>	2x4100Lm	2x38.5W	3000K	(RA) >90	White (RAL 9003)	15°/30°/45°/60°
<u>1.017H0A840003000000</u>	2x4450Lm	2x33W	4000K	(RA) >80	White (RAL 9003)	15°/30°/45°/60°
<u>1.017H0A940PW3000000</u>	2x4400Lm	2x38.5W	4000K	(RA) >90	White (RAL 9003)	15°/30°/45°/60°
<u>1.017A0C830003000000</u>	2x1250Lm	2x9.5W	3000K	(RA) >80	Grey (RAL 9006)	15°/30°/45°/60°
<u>1.017A0C930003000000</u>	2x1050Lm	2x9.5W	3000K	(RA) >90	Grey (RAL 9006)	15°/30°/45°/60°
<u>1.017A0C940PW3000000</u>	2x1100Lm	2x9.5W	4000K	(RA) >90	Grey (RAL 9006)	15°/30°/45°/60°
<u>1.017B0C840003000000</u>	2x1300Lm	2x9.5W	4000K	(RA) >80	Grey (RAL 9006)	15°/30°/45°/60°
<u>1.017C0C930003000000</u>	2x2000Lm	2x18.5W	3000K	(RA) >90	Grey (RAL 9006)	15°/30°/45°/60°
<u>1.017C0C940PW3000000</u>	2x2150Lm	2x18.5W	4000K	(RA) >90	Grey (RAL 9006)	15°/30°/45°/60°
<u>1.017D0C830003000000</u>	2x2400Lm	2x18.5W	3000K	(RA) >80	Grey (RAL 9006)	15°/30°/45°/60°
<u>1.017D0C840003000000</u>	2x2500Lm	2x18.5W	4000K	(RA) >80	Grey (RAL 9006)	15°/30°/45°/60°
<u>1.017E0C830003000000</u>	2x3250Lm	2x26W	3000K	(RA) >80	Grey (RAL 9006)	15°/30°/45°/60°
<u>1.017E0C930003000000</u>	2x3000Lm	2x30W	3000K	(RA) >90	Grey (RAL 9006)	15°/30°/45°/60°
<u>1.017E0C940PW3000000</u>	2x3250Lm	2x30W	4000K	(RA) >90	Grey (RAL 9006)	15°/30°/45°/60°

Skü	Luminous Flux	Connected Load	CCT	CRI	Color housing	Beam angle
<u>1.017F0C840003000000</u>	2x3370Lm	2x26W	4000K	(RA) >80	Grey (RAL 9006)	15°/30°/45°/60°
<u>1.017G0C830003000000</u>	2x4250Lm	2x33W	3000K	(RA) >80	Grey (RAL 9006)	15°/30°/45°/60°
<u>1.017G0C930003000000</u>	2x4100Lm	2x38.5W	3000K	(RA) >90	Grey (RAL 9006)	15°/30°/45°/60°
<u>1.017H0C840003000000</u>	2x4450Lm	2x33W	4000K	(RA) >80	Grey (RAL 9006)	15°/30°/45°/60°
<u>1.017H0C940PW3000000</u>	2x4400Lm	2x38.5W	4000K	(RA) >90	Grey (RAL 9006)	15°/30°/45°/60°
<u>1.017A0B830003000000</u>	2x1250Lm	2x9.5W	3000K	(RA) >80	Black (RAL 9005)	15°/30°/45°/60°
<u>1.017A0B930003000000</u>	2x1050Lm	2x9.5W	3000K	(RA) >90	Black (RAL 9005)	15°/30°/45°/60°
<u>1.017A0B940PW3000000</u>	2x1100Lm	2x9.5W	4000K	(RA) >90	Black (RAL 9005)	15°/30°/45°/60°
<u>1.017B0B840003000000</u>	2x1300Lm	2x9.5W	4000K	(RA) >80	Black (RAL 9005)	15°/30°/45°/60°
<u>1.017C0B930003000000</u>	2x2000Lm	2x18.5W	3000K	(RA) >90	Black (RAL 9005)	15°/30°/45°/60°
<u>1.017C0B940PW3000000</u>	2x2150Lm	2x18.5W	4000K	(RA) >90	Black (RAL 9005)	15°/30°/45°/60°
<u>1.017D0B830003000000</u>	2x2400Lm	2x18.5W	3000K	(RA) >80	Black (RAL 9005)	15°/30°/45°/60°
<u>1.017D0B840003000000</u>	2x2500Lm	2x18.5W	4000K	(RA) >80	Black (RAL 9005)	15°/30°/45°/60°
<u>1.017E0B830003000000</u>	2x3250Lm	2x26W	3000K	(RA) >80	Black (RAL 9005)	15°/30°/45°/60°

SKU	Luminous Flux	Connected Load	CCT	CRI	Color housing	Beam angle
<u>1.017E0B930003000000</u>	2x3000Lm	2x30W	3000K	(RA) >90	Black (RAL 9005)	15°/30°/45°/60°
<u>1.017E0B940PW3000000</u>	2x3250Lm	2x30W	4000K	(RA) >90	Black (RAL 9005)	15°/30°/45°/60°
<u>1.017F0B840003000000</u>	2x3370Lm	2x26W	4000K	(RA) >80	Black (RAL 9005)	15°/30°/45°/60°
<u>1.017G0B830003000000</u>	2x4250Lm	2x33W	3000K	(RA) >80	Black (RAL 9005)	15°/30°/45°/60°
<u>1.017G0B930003000000</u>	2x4100Lm	2x38.5W	3000K	(RA) >90	Black (RAL 9005)	15°/30°/45°/60°
<u>1.017H0B840003000000</u>	2x4450Lm	2x33W	4000K	(RA) >80	Black (RAL 9005)	15°/30°/45°/60°
<u>1.017H0B940PW3000000</u>	2x4400Lm	2x38.5W	4000K	(RA) >90	Black (RAL 9005)	15°/30°/45°/60°

© 2020 Light4U BV. All rights reserved. Please visit light4u.io for more information.