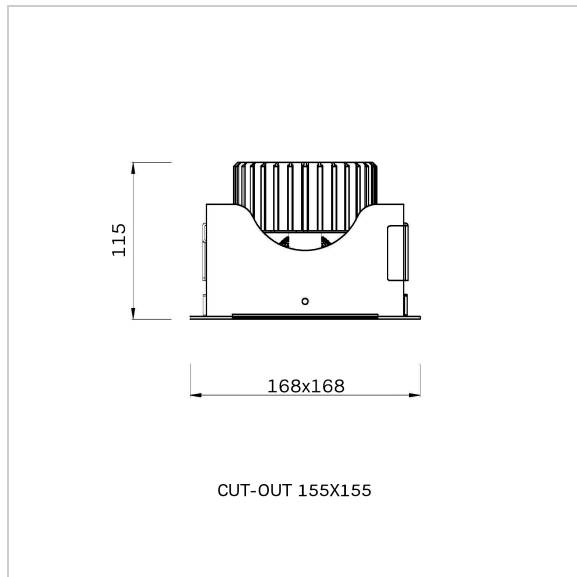


CARDAN SMALL ONE



Recessed cardanic LED downlight supplied in white, grey and black. Available in CCT from 2700K till 5700K in CRI80 or CRI90 and also in special colors for retail use. Reflectors with 15°, 30°, 45° or 60° and various accessories allow installations in a large range of applications.





Sku	Luminous Flux	Connected Load	CCT	CRI	Color housing	Beam angle
<u>1.016A0A830003000000</u>	1250Lm	9.5W	3000K	(RA) >80	White (RAL 9003)	15°/30°/45°/60°
<u>1.016A0A930003000000</u>	1050Lm	9.5W	3000K	(RA) >90	White (RAL 9003)	15°/30°/45°/60°
<u>1.016A0A940PW3000000</u>	1100Lm	9.5W	4000K	(RA) >90	White (RAL 9003)	15°/30°/45°/60°
<u>1.016B0A840003000000</u>	1300Lm	9.5W	4000K	(RA) >80	White (RAL 9003)	15°/30°/45°/60°
<u>1.016C0A930003000000</u>	2000Lm	18.5W	3000K	(RA) >90	White (RAL 9003)	15°/30°/45°/60°
<u>1.016C0A940PW3000000</u>	2150Lm	18.5W	4000K	(RA) >90	White (RAL 9003)	15°/30°/45°/60°
<u>1.016D0A830003000000</u>	2400Lm	18.5W	3000K	(RA) >80	White (RAL 9003)	15°/30°/45°/60°
<u>1.016D0A840003000000</u>	2500Lm	18.5W	4000K	(RA) >80	White (RAL 9003)	15°/30°/45°/60°
<u>1.016E0A830003000000</u>	3250Lm	26W	3000K	(RA) >80	White (RAL 9003)	15°/30°/45°/60°
<u>1.016E0A930003000000</u>	3000Lm	30W	3000K	(RA) >90	White (RAL 9003)	15°/30°/45°/60°
<u>1.016E0A940PW3000000</u>	3250Lm	30W	4000K	(RA) >90	White (RAL 9003)	15°/30°/45°/60°
<u>1.016F0A840003000000</u>	3370Lm	26W	4000K	(RA) >80	White (RAL 9003)	15°/30°/45°/60°
<u>1.016G0A830003000000</u>	4250Lm	33W	3000K	(RA) >80	White (RAL 9003)	15°/30°/45°/60°

Sku	Luminous Flux	Connected Load	CCT	CRI	Color housing	Beam angle
<u>1.016G0A930003000000</u>	4100Lm	38.5W	3000K	(RA) >90	White (RAL 9003)	15°/30°/45°/60°
<u>1.016H0A840003000000</u>	4450Lm	33W	4000K	(RA) >80	White (RAL 9003)	15°/30°/45°/60°
<u>1.016H0A940PW3000000</u>	4400Lm	38.5W	4000K	(RA) >90	White (RAL 9003)	15°/30°/45°/60°
<u>1.016A0C830003000000</u>	1250Lm	9.5W	3000K	(RA) >80	Grey (RAL 9006)	15°/30°/45°/60°
<u>1.016A0C930003000000</u>	1050Lm	9.5W	3000K	(RA) >90	Grey (RAL 9006)	15°/30°/45°/60°
<u>1.016A0C940PW3000000</u>	1100Lm	9.5W	4000K	(RA) >90	Grey (RAL 9006)	15°/30°/45°/60°
<u>1.016B0C840003000000</u>	1300Lm	9.5W	4000K	(RA) >80	Grey (RAL 9006)	15°/30°/45°/60°
<u>1.016C0C930003000000</u>	2000Lm	18.5W	3000K	(RA) >90	Grey (RAL 9006)	15°/30°/45°/60°
<u>1.016C0C940PW3000000</u>	2150Lm	18.5W	4000K	(RA) >90	Grey (RAL 9006)	15°/30°/45°/60°
<u>1.016D0C830003000000</u>	2400Lm	18.5W	3000K	(RA) >80	Grey (RAL 9006)	15°/30°/45°/60°
<u>1.016D0C840003000000</u>	2500Lm	18.5W	4000K	(RA) >80	Grey (RAL 9006)	15°/30°/45°/60°
<u>1.016E0C830003000000</u>	3250Lm	26W	3000K	(RA) >80	Grey (RAL 9006)	15°/30°/45°/60°
<u>1.016E0C930003000000</u>	3000Lm	30W	3000K	(RA) >90	Grey (RAL 9006)	15°/30°/45°/60°
<u>1.016E0C940PW3000000</u>	3250Lm	30W	4000K	(RA) >90	Grey (RAL 9006)	15°/30°/45°/60°

Sku	Luminous Flux	Connected Load	CCT	CRI	Color housing	Beam angle
<u>1.016F0C840003000000</u>	3370Lm	26W	4000K	(RA) >80	Grey (RAL 9006)	15°/30°/45°/60°
<u>1.016G0C830003000000</u>	4250Lm	33W	3000K	(RA) >80	Grey (RAL 9006)	15°/30°/45°/60°
<u>1.016G0C930003000000</u>	4100Lm	38.5W	3000K	(RA) >90	Grey (RAL 9006)	15°/30°/45°/60°
<u>1.016H0C840003000000</u>	4450Lm	33W	4000K	(RA) >80	Grey (RAL 9006)	15°/30°/45°/60°
<u>1.016H0C940PW3000000</u>	4400Lm	38.5W	4000K	(RA) >90	Grey (RAL 9006)	15°/30°/45°/60°
<u>1.016A0B830003000000</u>	1250Lm	9.5W	3000K	(RA) >80	Black (RAL 9005)	15°/30°/45°/60°
<u>1.016A0B930003000000</u>	1050Lm	9.5W	3000K	(RA) >90	Black (RAL 9005)	15°/30°/45°/60°
<u>1.016A0B940PW3000000</u>	1100Lm	9.5W	4000K	(RA) >90	Black (RAL 9005)	15°/30°/45°/60°
<u>1.016B0B840003000000</u>	1300Lm	9.5W	4000K	(RA) >80	Black (RAL 9005)	15°/30°/45°/60°
<u>1.016C0B930003000000</u>	2000Lm	18.5W	3000K	(RA) >90	Black (RAL 9005)	15°/30°/45°/60°
<u>1.016C0B940PW3000000</u>	2150Lm	18.5W	4000K	(RA) >90	Black (RAL 9005)	15°/30°/45°/60°
<u>1.016D0B830003000000</u>	2400Lm	18.5W	3000K	(RA) >80	Black (RAL 9005)	15°/30°/45°/60°
<u>1.016D0B840003000000</u>	2500Lm	18.5W	4000K	(RA) >80	Black (RAL 9005)	15°/30°/45°/60°
<u>1.016E0B830003000000</u>	3250Lm	26W	3000K	(RA) >80	Black (RAL 9005)	15°/30°/45°/60°

SKU	Luminous Flux	Connected Load	CCT	CRI	Color housing	Beam angle
<u>1.016E0B930003000000</u>	3000Lm	30W	3000K	(RA) >90	Black (RAL 9005)	15°/30°/45°/60°
<u>1.016E0B940PW3000000</u>	3250Lm	30W	4000K	(RA) >90	Black (RAL 9005)	15°/30°/45°/60°
<u>1.016F0B840003000000</u>	3370Lm	26W	4000K	(RA) >80	Black (RAL 9005)	15°/30°/45°/60°
<u>1.016G0B830003000000</u>	4250Lm	33W	3000K	(RA) >80	Black (RAL 9005)	15°/30°/45°/60°
<u>1.016G0B930003000000</u>	4100Lm	38.5W	3000K	(RA) >90	Black (RAL 9005)	15°/30°/45°/60°
<u>1.016H0B840003000000</u>	4450Lm	33W	4000K	(RA) >80	Black (RAL 9005)	15°/30°/45°/60°
<u>1.016H0B940PW3000000</u>	4400Lm	38.5W	4000K	(RA) >90	Black (RAL 9005)	15°/30°/45°/60°

© 2020 Light4U BV. All rights reserved. Please visit light4u.io for more information.