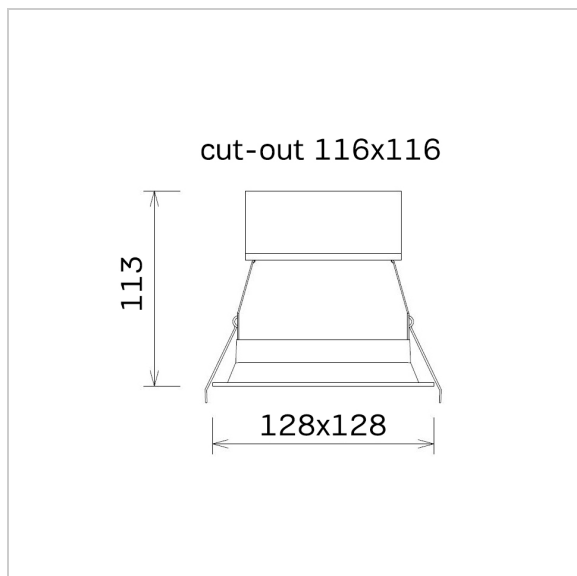


FENRIR SMALL



Recessed LED downlight supplied in white, grey and black. Available in CCT from 2700K till 5700K in CRI80 or CRI90 and also in special colors for retail use allow installations in a large range of applications. IP40. The luminaire is equipped with a clear protection glass.





Sku	Luminous Flux	Connected Load	CCT	CRI	Color housing	Beam angle
<u>1.009A0A830005000000</u>	1200Lm	9.5W	3000K	(RA) >80	White (RAL 9003)	50°
<u>1.009A0A840005000000</u>	1200Lm	9.5W	4000K	(RA) >80	White (RAL 9003)	50°
<u>1.009A0A930005000000</u>	1000Lm	9.5W	3000K	(RA) >90	White (RAL 9003)	50°
<u>1.009A0A940PW5000000</u>	1100Lm	9.5W	4000K	(RA) >90	White (RAL 9003)	50°
<u>1.009C0A830005000000</u>	2250Lm	18.5W	3000K	(RA) >80	White (RAL 9003)	50°
<u>1.009C0A930005000000</u>	1900Lm	18.5W	3000K	(RA) >90	White (RAL 9003)	50°
<u>1.009C0A940PW5000000</u>	2150Lm	18.5W	4000K	(RA) >90	White (RAL 9003)	50°
<u>1.009D0A840005000000</u>	2350Lm	18.5W	4000K	(RA) >80	White (RAL 9003)	50°
<u>1.009A0C830005000000</u>	1200Lm	9.5W	3000K	(RA) >80	Grey (RAL 9006)	50°
<u>1.009A0C840005000000</u>	1200Lm	9.5W	4000K	(RA) >80	Grey (RAL 9006)	50°
<u>1.009A0C930005000000</u>	1000Lm	9.5W	3000K	(RA) >90	Grey (RAL 9006)	50°
<u>1.009A0C940PW5000000</u>	1100Lm	9.5W	4000K	(RA) >90	Grey (RAL 9006)	50°
<u>1.009C0C830005000000</u>	2250Lm	18.5W	3000K	(RA) >80	Grey (RAL 9006)	50°
<u>1.009C0C930005000000</u>	1900Lm	18.5W	3000K	(RA) >90	Grey (RAL 9006)	50°
<u>1.009C0C940PW5000000</u>	2150Lm	18.5W	4000K	(RA) >90	Grey (RAL 9006)	50°
<u>1.009D0C840005000000</u>	2350Lm	18.5W	4000K	(RA) >80	Grey (RAL 9006)	50°
<u>1.009A0B830005000000</u>	1200Lm	9.5W	3000K	(RA) >80	Black (RAL 9005)	50°
<u>1.009A0B840005000000</u>	1200Lm	9.5W	4000K	(RA) >80	Black (RAL 9005)	50°

SKU	Luminous Flux	Connected Load	CCT	CRI	Color housing	Beam angle
<u>1.009A0B930005000000</u>	1000Lm	9.5W	3000K	(RA) >90	Black (RAL 9005)	50°
<u>1.009A0B940PW5000000</u>	1100Lm	9.5W	4000K	(RA) >90	Black (RAL 9005)	50°
<u>1.009C0B830005000000</u>	2250Lm	18.5W	3000K	(RA) >80	Black (RAL 9005)	50°
<u>1.009C0B930005000000</u>	1900Lm	18.5W	3000K	(RA) >90	Black (RAL 9005)	50°
<u>1.009C0B940PW5000000</u>	2150Lm	18.5W	4000K	(RA) >90	Black (RAL 9005)	50°
<u>1.009D0B840005000000</u>	2350Lm	18.5W	4000K	(RA) >80	Black (RAL 9005)	50°

© 2019 Light4U BV. All rights reserved. Please visit light4u.io for more information.