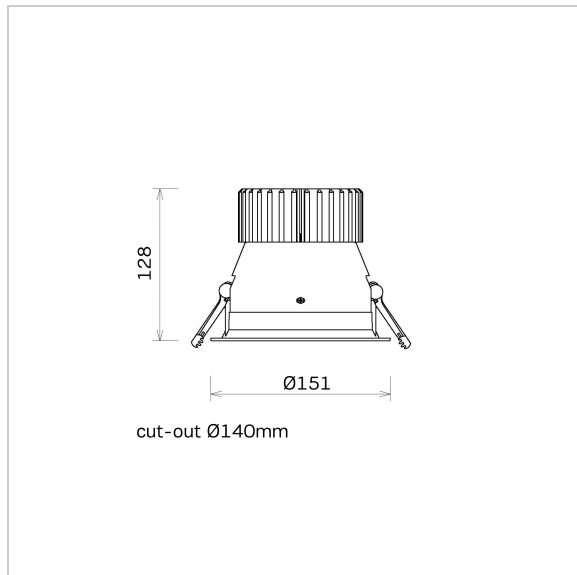
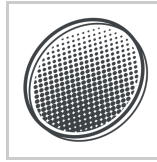


BALDR LARGE



Recessed LED downlight supplied in white, grey and black. Available in CCT from 2700K till 5700K in CRI80 or CRI90, also in special colors for retail use. IP40. The luminaire is equipped with a clear protection glass.

PREMIUM WHITE	CRISP WHITE	DIM TO WARM	TUNABLE WHITE	DALI	1-10V	CASAMBI



Sku	Luminous Flux	Connected Load	CCT	CRI	Color housing	Beam angle
<u>1.003A0A830004500000</u>	1200Lm	9.5W	3000K	(RA) >80	White (RAL 9003)	45°
<u>1.003A0A840004500000</u>	1250Lm	9.5W	4000K	(RA) >80	White (RAL 9003)	45°
<u>1.003A0A930004500000</u>	1000Lm	9.5W	3000K	(RA) >90	White (RAL 9003)	45°
<u>1.003A0A940PW4500000</u>	1120Lm	9.5W	4000K	(RA) >90	White (RAL 9003)	45°
<u>1.003C0A930004500000</u>	1900Lm	18.5W	3000K	(RA) >90	White (RAL 9003)	45°
<u>1.003C0A940PW4500000</u>	2150Lm	18.5W	4000K	(RA) >90	White (RAL 9003)	45°
<u>1.003D0A830004500000</u>	2300Lm	18.5W	3000K	(RA) >80	White (RAL 9003)	45°
<u>1.003D0A840004500000</u>	2400Lm	18.5W	4000K	(RA) >80	White (RAL 9003)	45°
<u>1.003E0A830004500000</u>	3100Lm	26W	3000K	(RA) >80	White (RAL 9003)	45°
<u>1.003E0A840004500000</u>	3250Lm	26W	4000K	(RA) >80	White (RAL 9003)	45°
<u>1.003E0A930004500000</u>	2900Lm	30W	3000K	(RA) >90	White (RAL 9003)	45°
<u>1.003E0A940PW4500000</u>	3200Lm	30W	4000K	(RA) >90	White (RAL 9003)	45°
<u>1.003G0A830004500000</u>	4100Lm	33W	3000K	(RA) >80	White (RAL 9003)	45°
<u>1.003G0A930004500000</u>	4000Lm	38.5W	3000K	(RA) >90	White (RAL 9003)	45°
<u>1.003G0A940PW4500000</u>	4250Lm	38.5W	4000K	(RA) >90	White (RAL 9003)	45°
<u>1.003H0A840004500000</u>	4300Lm	33W	4000K	(RA) >80	White (RAL 9003)	45°
<u>1.003A0C830004500000</u>	1200Lm	9.5W	3000K	(RA) >80	Grey (RAL 9006)	45°
<u>1.003A0C840004500000</u>	1250Lm	9.5W	4000K	(RA) >80	Grey (RAL 9006)	45°

Sku	Luminous Flux	Connected Load	CCT	CRI	Color housing	Beam angle
<u>1.003A0C930004500000</u>	1000Lm	9.5W	3000K	(RA) >90	Grey (RAL 9006)	45°
<u>1.003A0C940PW4500000</u>	1120Lm	9.5W	4000K	(RA) >90	Grey (RAL 9006)	45°
<u>1.003C0C930004500000</u>	1900Lm	18.5W	3000K	(RA) >90	Grey (RAL 9006)	45°
<u>1.003C0C940PW4500000</u>	2150Lm	18.5W	4000K	(RA) >90	Grey (RAL 9006)	45°
<u>1.003D0C830004500000</u>	2300Lm	18.5W	3000K	(RA) >80	Grey (RAL 9006)	45°
<u>1.003D0C840004500000</u>	2400Lm	18.5W	4000K	(RA) >80	Grey (RAL 9006)	45°
<u>1.003E0C830004500000</u>	3100Lm	26W	3000K	(RA) >80	Grey (RAL 9006)	45°
<u>1.003E0C840004500000</u>	3250Lm	26W	4000K	(RA) >80	Grey (RAL 9006)	45°
<u>1.003E0C930004500000</u>	2900Lm	30W	3000K	(RA) >90	Grey (RAL 9006)	45°
<u>1.003E0C940PW4500000</u>	3200Lm	30W	4000K	(RA) >90	Grey (RAL 9006)	45°
<u>1.003G0C830004500000</u>	4100Lm	33W	3000K	(RA) >80	Grey (RAL 9006)	45°
<u>1.003G0C930004500000</u>	4000Lm	38.5W	3000K	(RA) >90	Grey (RAL 9006)	45°
<u>1.003H0C840004500000</u>	4300Lm	33W	4000K	(RA) >80	Grey (RAL 9006)	45°
<u>1.003A0B830004500000</u>	1200Lm	9.5W	3000K	(RA) >80	Black (RAL 9005)	45°
<u>1.003A0B840004500000</u>	1250Lm	9.5W	4000K	(RA) >80	Black (RAL 9005)	45°
<u>1.003A0B930004500000</u>	1000Lm	9.5W	3000K	(RA) >90	Black (RAL 9005)	45°
<u>1.003A0B940PW4500000</u>	1120Lm	9.5W	4000K	(RA) >90	Black (RAL 9005)	45°
<u>1.003C0B930004500000</u>	1900Lm	18.5W	3000K	(RA) >90	Black (RAL 9005)	45°
<u>1.003C0B940PW4500000</u>	2150Lm	18.5W	4000K	(RA) >90	Black (RAL 9005)	45°

Sku	Luminous Flux	Connected Load	CCT	CRI	Color housing	Beam angle
<u>1.003D0B830004500000</u>	2300Lm	18.5W	3000K	(RA) >80	Black (RAL 9005)	45°
<u>1.003D0B840004500000</u>	2400Lm	18.5W	4000K	(RA) >80	Black (RAL 9005)	45°
<u>1.003E0B830004500000</u>	3100Lm	26W	3000K	(RA) >80	Black (RAL 9005)	45°
<u>1.003E0B840004500000</u>	3250Lm	26W	4000K	(RA) >80	Black (RAL 9005)	45°
<u>1.003E0B930004500000</u>	2900Lm	30W	3000K	(RA) >90	Black (RAL 9005)	45°
<u>1.003E0B940PW4500000</u>	3200Lm	30W	4000K	(RA) >90	Black (RAL 9005)	45°
<u>1.003G0B830004500000</u>	4100Lm	33W	3000K	(RA) >80	Black (RAL 9005)	45°
<u>1.003G0B930004500000</u>	4000Lm	38.5W	3000K	(RA) >90	Black (RAL 9005)	45°
<u>1.003H0B840004500000</u>	4300Lm	33W	4000K	(RA) >80	Black (RAL 9005)	45°

© 2019 Light4U BV. All rights reserved. Please visit light4u.io for more information.