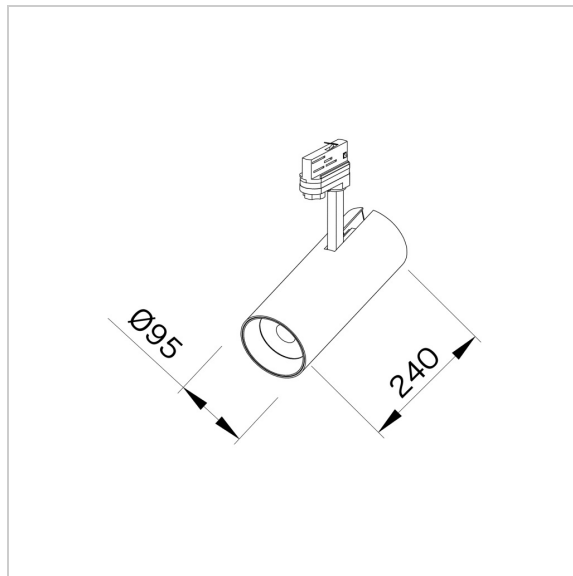


# TUBE R



3-Phase LED track spotlight with Nordic track adapter available in white, grey and black. Available in CCT from 2700K till 5700K in CRI80 or CRI90, also in special colors for retail use. Reflectors with 15°, 30° or 45° and various accessories allow installations in a large range of applications. Protective glass, honeycomb and barndoor on request available.



<b>SKU</b>	<b>Luminous Flux</b>	<b>Connected Load</b>	<b>CCT</b>	<b>CRI</b>	<b>Color housing</b>	<b>Beam angle</b>
<a href="#"><u>2.011A0A930003000000</u></a>	1050Lm	9.5W	3000K	(RA) >90	White (RAL 9003)	15°/30°/45°
<a href="#"><u>2.011A0A940PW3000000</u></a>	1120Lm	9.5W	4000K	(RA) >90	White (RAL 9003)	15°/30°/45°
<a href="#"><u>2.011C0A930003000000</u></a>	2000Lm	18.5W	3000K	(RA) >90	White (RAL 9003)	15°/30°/45°
<a href="#"><u>2.011C0A940PW3000000</u></a>	2150Lm	18.5W	4000K	(RA) >90	White (RAL 9003)	15°/30°/45°
<a href="#"><u>2.011E0A830003000000</u></a>	3250Lm	26W	3000K	(RA) >80	White (RAL 9003)	15°/30°/45°
<a href="#"><u>2.011D0A830003000000</u></a>	2400Lm	18.5W	3000K	(RA) >80	White (RAL 9003)	15°/30°/45°
<a href="#"><u>2.011A0A830003000000</u></a>	1250Lm	9.5W	3000K	(RA) >80	White (RAL 9003)	15°/30°/45°
<a href="#"><u>2.011F0A840003000000</u></a>	3370Lm	26W	4000K	(RA) >80	White (RAL 9003)	15°/30°/45°
<a href="#"><u>2.011D0A840003000000</u></a>	2500Lm	18.5W	4000K	(RA) >80	White (RAL 9003)	15°/30°/45°
<a href="#"><u>2.011B0A840003000000</u></a>	1300Lm	9.5W	4000K	(RA) >80	White (RAL 9003)	15°/30°/45°
<a href="#"><u>2.011E0A930003000000</u></a>	3000Lm	30W	3000K	(RA) >90	White (RAL 9003)	15°/30°/45°
<a href="#"><u>2.011E0A940PW3000000</u></a>	3220Lm	30W	4000K	(RA) >90	White (RAL 9003)	15°/30°/45°
<a href="#"><u>2.011C0C930003000000</u></a>	2000Lm	18.5W	3000K	(RA) >90	Grey (RAL 9006)	15°/30°/45°
<a href="#"><u>2.011A0C930003000000</u></a>	1050Lm	9.5W	3000K	(RA) >90	Grey (RAL 9006)	15°/30°/45°
<a href="#"><u>2.011C0C940PW3000000</u></a>	2150Lm	18.5W	4000K	(RA) >90	Grey (RAL 9006)	15°/30°/45°
<a href="#"><u>2.011A0C940PW3000000</u></a>	1120Lm	9.5W	4000K	(RA) >90	Grey (RAL 9006)	15°/30°/45°
<a href="#"><u>2.011E0C830003000000</u></a>	3250Lm	26W	3000K	(RA) >80	Grey (RAL 9006)	15°/30°/45°
<a href="#"><u>2.011D0C830003000000</u></a>	2400Lm	18.5W	3000K	(RA) >80	Grey (RAL 9006)	15°/30°/45°

<b>SKU</b>	<b>Luminous Flux</b>	<b>Connected Load</b>	<b>CCT</b>	<b>CRI</b>	<b>Color housing</b>	<b>Beam angle</b>
<u>2.011A0C830003000000</u>	1250Lm	9.5W	3000K	(RA) >80	Grey (RAL 9006)	15°/30°/45°
<u>2.011F0C840003000000</u>	3370Lm	26W	4000K	(RA) >80	Grey (RAL 9006)	15°/30°/45°
<u>2.011D0C840003000000</u>	2500Lm	18.5W	4000K	(RA) >80	Grey (RAL 9006)	15°/30°/45°
<u>2.011B0C840003000000</u>	1300Lm	9.5W	4000K	(RA) >80	Grey (RAL 9006)	15°/30°/45°
<u>2.011E0C930003000000</u>	3000Lm	30W	3000K	(RA) >90	Grey (RAL 9006)	15°/30°/45°
<u>2.011E0C940PW3000000</u>	3220Lm	30W	4000K	(RA) >90	Grey (RAL 9006)	15°/30°/45°
<u>2.011C0B930003000000</u>	2000Lm	18.5W	3000K	(RA) >90	Black (RAL 9005)	15°/30°/45°
<u>2.011A0B930003000000</u>	1050Lm	9.5W	3000K	(RA) >90	Black (RAL 9005)	15°/30°/45°
<u>2.011C0B940PW3000000</u>	2150Lm	18.5W	4000K	(RA) >90	Black (RAL 9005)	15°/30°/45°
<u>2.011A0B940PW3000000</u>	1120Lm	9.5W	4000K	(RA) >90	Black (RAL 9005)	15°/30°/45°
<u>2.011E0B830003000000</u>	3250Lm	26W	3000K	(RA) >80	Black (RAL 9005)	15°/30°/45°
<u>2.011D0B830003000000</u>	2400Lm	18.5W	3000K	(RA) >80	Black (RAL 9005)	15°/30°/45°
<u>2.011A0B830003000000</u>	1250Lm	9.5W	3000K	(RA) >80	Black (RAL 9005)	15°/30°/45°
<u>2.011F0B840003000000</u>	3370Lm	26W	4000K	(RA) >80	Black (RAL 9005)	15°/30°/45°
<u>2.011D0B840003000000</u>	2500Lm	18.5W	4000K	(RA) >80	Black (RAL 9005)	15°/30°/45°
<u>2.011B0B840003000000</u>	1300Lm	9.5W	4000K	(RA) >80	Black (RAL 9005)	15°/30°/45°
<u>2.011E0B930003000000</u>	3000Lm	30W	3000K	(RA) >90	Black (RAL 9005)	15°/30°/45°
<u>2.011E0B940PW3000000</u>	3220Lm	30W	4000K	(RA) >90	Black (RAL 9005)	15°/30°/45°

