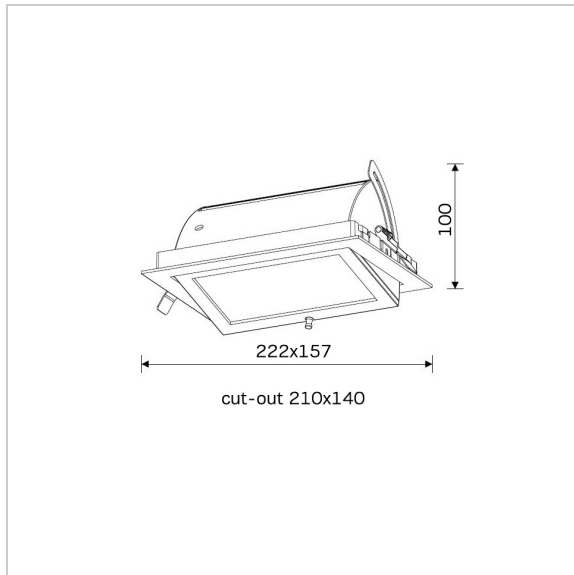
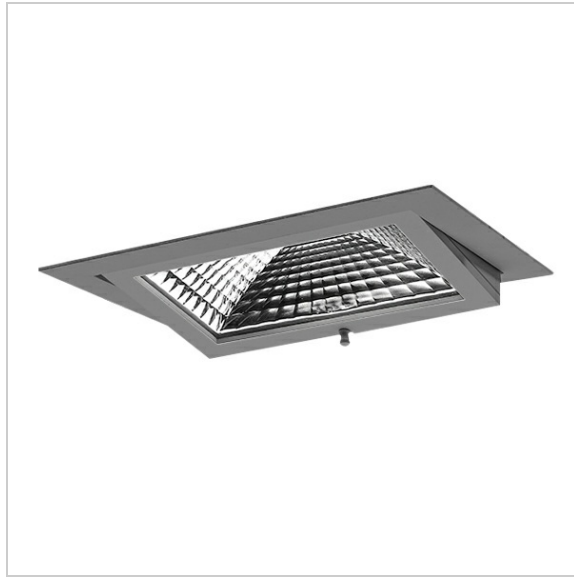
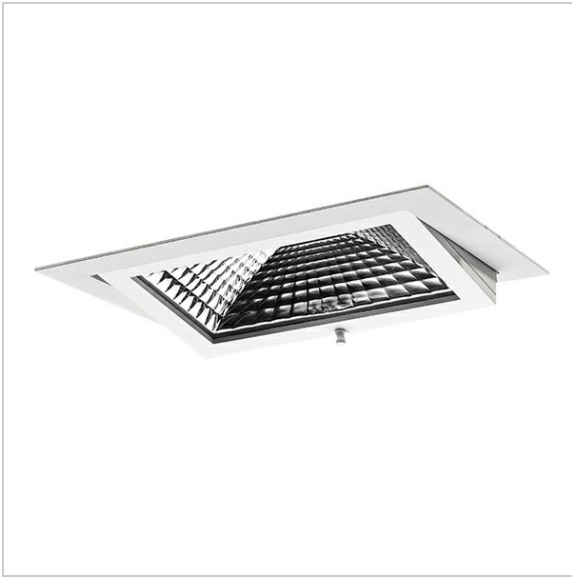


NANNA LARGE BUILT-IN



Adjustable recessed LED downlight available in white, grey and black. Available in CCT from 2700K till 5700K in CRI80 or CRI90, also in special colors for retail use. The luminaire is equipped with a clear protection glass.

					PREMIUM WHITE	CRISP WHITE
				CASAMBI		wieland

Sku	Luminous Flux	Connected Load	CCT	CRI	Color housing	Beam angle
<u>1.025A0A930009000000</u>	1100Lm	9.5W	3000K	(RA) >90	White (RAL 9003)	90°x70°
<u>1.025A0A940PW9000000</u>	1200Lm	9.5W	4000K	(RA) >90	White (RAL 9003)	90°x70°
<u>1.025B0A830009000000</u>	1350Lm	9.5W	3000K	(RA) >80	White (RAL 9003)	90°x70°
<u>1.025B0A840009000000</u>	1400Lm	9.5W	4000K	(RA) >80	White (RAL 9003)	90°x70°
<u>1.025C0A930009000000</u>	2100Lm	18.5W	3000K	(RA) >90	White (RAL 9003)	90°x70°
<u>1.025D0A830009000000</u>	2550Lm	18.5W	3000K	(RA) >80	White (RAL 9003)	90°x70°
<u>1.025D0A840009000000</u>	2650Lm	18.5W	4000K	(RA) >80	White (RAL 9003)	90°x70°
<u>1.025D0A940PW9000000</u>	2300Lm	18.5W	4000K	(RA) >90	White (RAL 9003)	90°x70°
<u>1.025E0A930009000000</u>	3150Lm	30W	3000K	(RA) >90	White (RAL 9003)	90°x70°
<u>1.025F0A830009000000</u>	3450Lm	26W	3000K	(RA) >80	White (RAL 9003)	90°x70°
<u>1.025F0A840009000000</u>	3550Lm	26W	4000K	(RA) >80	White (RAL 9003)	90°x70°
<u>1.025F0A940PW9000000</u>	3400Lm	30W	4000K	(RA) >90	White (RAL 9003)	90°x70°
<u>1.025H0A830009000000</u>	4500Lm	33W	3000K	(RA) >80	White (RAL 9003)	90°x70°
<u>1.025H0A840009000000</u>	4700Lm	33W	4000K	(RA) >80	White (RAL 9003)	90°x70°
<u>1.025H0A930009000000</u>	4350Lm	38.5W	3000K	(RA) >90	White (RAL 9003)	90°x70°
<u>1.025H0A940PW9000000</u>	4650Lm	38.5W	4000K	(RA) >90	White (RAL 9003)	90°x70°
<u>1.025A0C930009000000</u>	1100Lm	9.5W	3000K	(RA) >90	Grey (RAL 9006)	90°x70°
<u>1.025A0C940PW9000000</u>	1200Lm	9.5W	4000K	(RA) >90	Grey (RAL 9006)	90°x70°
<u>1.025B0C830009000000</u>	1350Lm	9.5W	3000K	(RA) >80	Grey (RAL 9006)	90°x70°
<u>1.025B0C840009000000</u>	1400Lm	9.5W	4000K	(RA) >80	Grey (RAL 9006)	90°x70°
<u>1.025C0C930009000000</u>	2100Lm	18.5W	3000K	(RA) >90	Grey (RAL 9006)	90°x70°

Sku	Luminous Flux	Connected Load	CCT	CRI	Color housing	Beam angle
<u>1.025C0C940PW9000000</u>	2300Lm	18.5W	4000K	(RA) >90	Grey (RAL 9006)	90°x70°
<u>1.025D0C830009000000</u>	2550Lm	18.5W	3000K	(RA) >80	Grey (RAL 9006)	90°x70°
<u>1.025D0C840009000000</u>	2650Lm	18.5W	4000K	(RA) >80	Grey (RAL 9006)	90°x70°
<u>1.025E0C930009000000</u>	3150Lm	30W	3000K	(RA) >90	Grey (RAL 9006)	90°x70°
<u>1.025F0C830009000000</u>	3450Lm	26W	3000K	(RA) >80	Grey (RAL 9006)	90°x70°
<u>1.025F0C840009000000</u>	3550Lm	26W	4000K	(RA) >80	Grey (RAL 9006)	90°x70°
<u>1.025F0C940PW9000000</u>	3400Lm	30W	4000K	(RA) >90	Grey (RAL 9006)	90°x70°
<u>1.025H0C830009000000</u>	4500Lm	33W	3000K	(RA) >80	Grey (RAL 9006)	90°x70°
<u>1.025H0C840009000000</u>	4700Lm	33W	4000K	(RA) >80	Grey (RAL 9006)	90°x70°
<u>1.025H0C930009000000</u>	4350Lm	38.5W	3000K	(RA) >90	Grey (RAL 9006)	90°x70°
<u>1.025H0C940PW9000000</u>	4650Lm	38.5W	4000K	(RA) >90	Grey (RAL 9006)	90°x70°
<u>1.025A0B930009000000</u>	1100Lm	9.5W	3000K	(RA) >90	Black (RAL 9005)	90°x70°
<u>1.025A0B940PW9000000</u>	1200Lm	9.5W	4000K	(RA) >90	Black (RAL 9005)	90°x70°
<u>1.025B0B830009000000</u>	1350Lm	9.5W	3000K	(RA) >80	Black (RAL 9005)	90°x70°
<u>1.025B0B840009000000</u>	1400Lm	9.5W	4000K	(RA) >80	Black (RAL 9005)	90°x70°
<u>1.025C0B930009000000</u>	2100Lm	18.5W	3000K	(RA) >90	Black (RAL 9005)	90°x70°
<u>1.025C0B940PW9000000</u>	2300Lm	18.5W	4000K	(RA) >90	Black (RAL 9005)	90°x70°
<u>1.025D0B830009000000</u>	2550Lm	18.5W	3000K	(RA) >80	Black (RAL 9005)	90°x70°
<u>1.025D0B840009000000</u>	2650Lm	18.5W	4000K	(RA) >80	Black (RAL 9005)	90°x70°
<u>1.025E0B930009000000</u>	3150Lm	30W	3000K	(RA) >90	Black (RAL 9005)	90°x70°
<u>1.025F0B830009000000</u>	3450Lm	26W	3000K	(RA) >80	Black (RAL 9005)	90°x70°

Sku	Luminous Flux	Connected Load	CCT	CRI	Color housing	Beam angle
<u>1.025F0B840009000000</u>	3550Lm	26W	4000K	(RA) >80	Black (RAL 9005)	90°x70°
<u>1.025F0B940PW9000000</u>	3400Lm	30W	4000K	(RA) >90	Black (RAL 9005)	90°x70°
<u>1.025H0B830009000000</u>	4500Lm	33W	3000K	(RA) >80	Black (RAL 9005)	90°x70°
<u>1.025H0B840009000000</u>	4700Lm	33W	4000K	(RA) >80	Black (RAL 9005)	90°x70°
<u>1.025H0B930009000000</u>	4350Lm	38.5W	3000K	(RA) >90	Black (RAL 9005)	90°x70°
<u>1.025H0B940PW9000000</u>	4650Lm	38.5W	4000K	(RA) >90	Black (RAL 9005)	90°x70°

© 2019 Light4U BV. All rights reserved. Please visit light4u.io for more information.