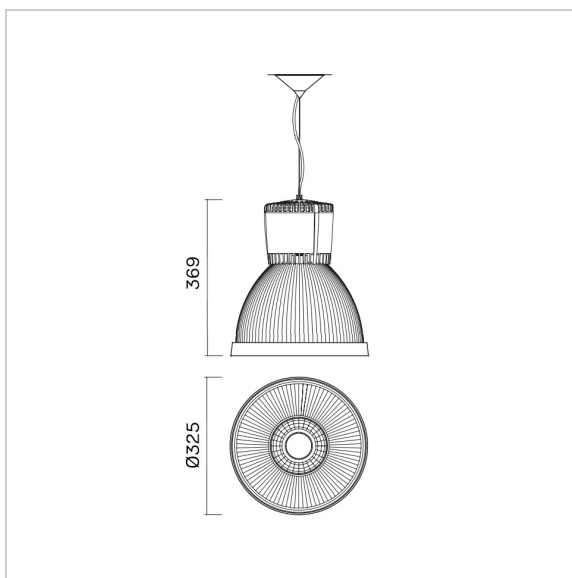


BRYAN PENDANT LED SUPREME



Pendant LED luminaire available in white, grey and black color. A luminous flux up to 5600lm and a wide selection of CRI and CCT specify this luminaire for showroom applications. Supplied with 3m suspension set.

SKU	Luminous Flux	Connected Load	CCT	CRI	Color housing	Beam angle
4.004E0A830004000000	3250Lm	26W	3000K	(RA) >80	White (RAL 9003)	40°
4.004E0A8300040C0000	3250Lm	26W	3000K	(RA) >80	White (RAL 9003)	40°
4.004E0A930004000000	3050Lm	30W	3000K	(RA) >90	White (RAL 9003)	40°
4.004E0A9300040C0000	3050Lm	30W	3000K	(RA) >90	White (RAL 9003)	40°
4.004F0A840004000000	3400Lm	26W	4000K	(RA) >80	White (RAL 9003)	40°

Sku	Luminous Flux	Connected Load	CCT	CRI	Color housing	Beam angle
<u>4.004F0A8400040C0000</u>	3400Lm	26W	4000K	(RA) >80	White (RAL 9003)	40°
<u>4.004F0A940004000000</u>	3300Lm	30W	4000K	(RA) >90	White (RAL 9003)	40°
<u>4.004F0A9400040C0000</u>	3300Lm	30W	4000K	(RA) >90	White (RAL 9003)	40°
<u>4.004G0A830004000000</u>	4200Lm	33W	3000K	(RA) >80	White (RAL 9003)	40°
<u>4.004G0A8300040C0000</u>	4200Lm	33W	3000K	(RA) >80	White (RAL 9003)	40°
<u>4.004G0A930004000000</u>	4100Lm	38.5W	3000K	(RA) >90	White (RAL 9003)	40°
<u>4.004G0A9300040C0000</u>	4100Lm	38.5W	3000K	(RA) >90	White (RAL 9003)	40°
<u>4.004H0A830004000000</u>	4500Lm	45W	3000K	(RA) >90	White (RAL 9003)	40°
<u>4.004H0A8300040C0000</u>	4500Lm	45W	3000K	(RA) >90	White (RAL 9003)	40°
<u>4.004H0A840004000000</u>	4450Lm	33W	4000K	(RA) >80	White (RAL 9003)	40°
<u>4.004H0A8400040C0000</u>	4450Lm	33W	4000K	(RA) >80	White (RAL 9003)	40°
<u>4.004H0A940004000000</u>	4400Lm	38.5W	4000K	(RA) >90	White (RAL 9003)	40°
<u>4.004H0A9400040C0000</u>	4400Lm	38.5W	4000K	(RA) >90	White (RAL 9003)	40°
<u>4.004I0A940004000000</u>	4850lm	45W	4000K	(RA) >90	White (RAL 9003)	40°
<u>4.004I0A9400040C0000</u>	4850lm	45W	4000K	(RA) >90	White (RAL 9003)	40°
<u>4.004J0A830004000000</u>	5300lm	45W	3000K	(RA) >80	White (RAL 9003)	40°
<u>4.004J0A8300040C0000</u>	5300lm	45W	3000K	(RA) >80	White (RAL 9003)	40°
<u>4.004J0A840004000000</u>	5600lm	45W	4000K	(RA) >80	White (RAL 9003)	40°
<u>4.004J0A8400040C0000</u>	5600lm	45W	4000K	(RA) >80	White (RAL 9003)	40°
<u>4.004E0C830004000000</u>	3250Lm	26W	3000K	(RA) >80	Grey (RAL 9006)	40°
<u>4.004E0C930004000000</u>	3050Lm	30W	3000K	(RA) >90	Grey (RAL 9006)	40°

Sku	Luminous Flux	Connected Load	CCT	CRI	Color housing	Beam angle
<u>4.004F0C840004000000</u>	3400Lm	26W	4000K	(RA) >80	Grey (RAL 9006)	40°
<u>4.004F0C940PW4000000</u>	3300Lm	30W	4000K	(RA) >90	Grey (RAL 9006)	40°
<u>4.004G0C830004000000</u>	4200Lm	33W	3000K	(RA) >80	Grey (RAL 9006)	40°
<u>4.004G0C8300040C0000</u>	4200Lm	33W	3000K	(RA) >80	Grey (RAL 9006)	40°
<u>4.004G0C930004000000</u>	4100Lm	38.5W	3000K	(RA) >90	Grey (RAL 9006)	40°
<u>4.004G0C9300040C0000</u>	4100Lm	38.5W	3000K	(RA) >90	Grey (RAL 9006)	40°
<u>4.004H0C840004000000</u>	4450Lm	33W	4000K	(RA) >80	Grey (RAL 9006)	40°
<u>4.004H0C8400040C0000</u>	4450Lm	33W	4000K	(RA) >80	Grey (RAL 9006)	40°
<u>4.004H0C930004000000</u>	4500Lm	45W	3000K	(RA) >90	Grey (RAL 9006)	40°
<u>4.004H0C940PW4000000</u>	4400Lm	38.5W	4000K	(RA) >90	Grey (RAL 9006)	40°
<u>4.004I0C940PW4000000</u>	4850lm	45W	4000K	(RA) >90	Grey (RAL 9006)	40°
<u>4.004I0C940PW40C0000</u>	4850lm	45W	4000K	(RA) >90	Grey (RAL 9006)	40°
<u>4.004J0C830004000000</u>	5300lm	45W	3000K	(RA) >80	Grey (RAL 9006)	40°
<u>4.004J0C8300040C0000</u>	5300lm	45W	3000K	(RA) >80	Grey (RAL 9006)	40°
<u>4.004J0C840004000000</u>	5600lm	45W	4000K	(RA) >80	Grey (RAL 9006)	40°
<u>4.004J0C8400040C0000</u>	5600lm	45W	4000K	(RA) >80	Grey (RAL 9006)	40°
<u>4.004E0B830004000000</u>	3250Lm	26W	3000K	(RA) >80	Black (RAL 9005)	40°
<u>4.004E0B930004000000</u>	3050Lm	30W	3000K	(RA) >90	Black (RAL 9005)	40°
<u>4.004F0B840004000000</u>	3400Lm	26W	4000K	(RA) >80	Black (RAL 9005)	40°
<u>4.004F0B8400040C0000</u>	3400Lm	26W	4000K	(RA) >80	Black (RAL 9005)	40°
<u>4.004F0B940PW4000000</u>	3300Lm	30W	4000K	(RA) >90	Black (RAL 9005)	40°

Sku	Luminous Flux	Connected Load	CCT	CRI	Color housing	Beam angle
<u>4.004G0B830004000000</u>	4200Lm	33W	3000K	(RA) >80	Black (RAL 9005)	40°
<u>4.004G0B8300040C0000</u>	4200Lm	33W	3000K	(RA) >80	Black (RAL 9005)	40°
<u>4.004G0B930004000000</u>	4100Lm	38.5W	3000K	(RA) >90	Black (RAL 9005)	40°
<u>4.004G0B9300040C0000</u>	4100Lm	38.5W	3000K	(RA) >90	Black (RAL 9005)	40°
<u>4.004H0B840004000000</u>	4450Lm	33W	4000K	(RA) >80	Black (RAL 9005)	40°
<u>4.004H0B930004000000</u>	4500Lm	45W	3000K	(RA) >90	Black (RAL 9005)	40°
<u>4.004H0B940PW4000000</u>	4400Lm	38.5W	4000K	(RA) >90	Black (RAL 9005)	40°
<u>4.004I0B940PW4000000</u>	4850lm	45W	4000K	(RA) >90	Black (RAL 9005)	40°
<u>4.004I0B940PW40C0000</u>	4850lm	45W	4000K	(RA) >90	Black (RAL 9005)	40°
<u>4.004J0B830004000000</u>	5300lm	45W	3000K	(RA) >80	Black (RAL 9005)	40°
<u>4.004J0B8300040C0000</u>	5300lm	45W	3000K	(RA) >80	Black (RAL 9005)	40°
<u>4.004J0B840004000000</u>	5600lm	45W	4000K	(RA) >80	Black (RAL 9005)	40°
<u>4.004J0B8400040C0000</u>	5600lm	45W	4000K	(RA) >80	Black (RAL 9005)	40°

© 2019 Light4U BV. All rights reserved. Please visit light4u.io for more information.