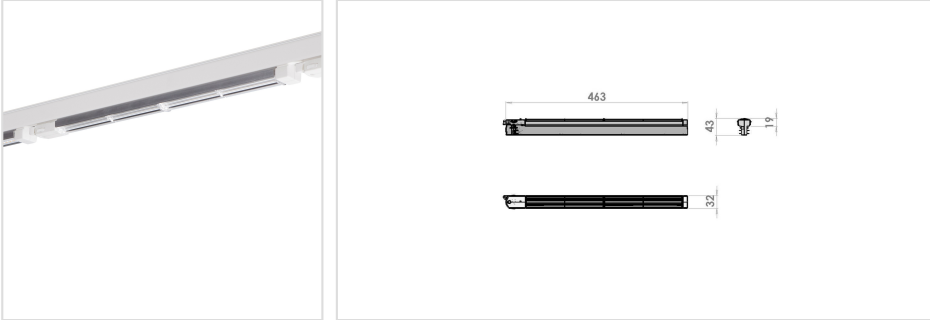




Lival Respect single



Product details

LED linear track light, complete with Nordic track adapter produced in die-cast aluminium. Provided with a direct optic or opal optic. Supplied including LED system.

Color

White

Module

Citizen LED

Lumen output module

1770Lm

Light color module

830 / 840

Light distribution

Assymetric / Direct / Opal

LOR value > 90%

IP Value IP20

Net weight fixture 0.42kg